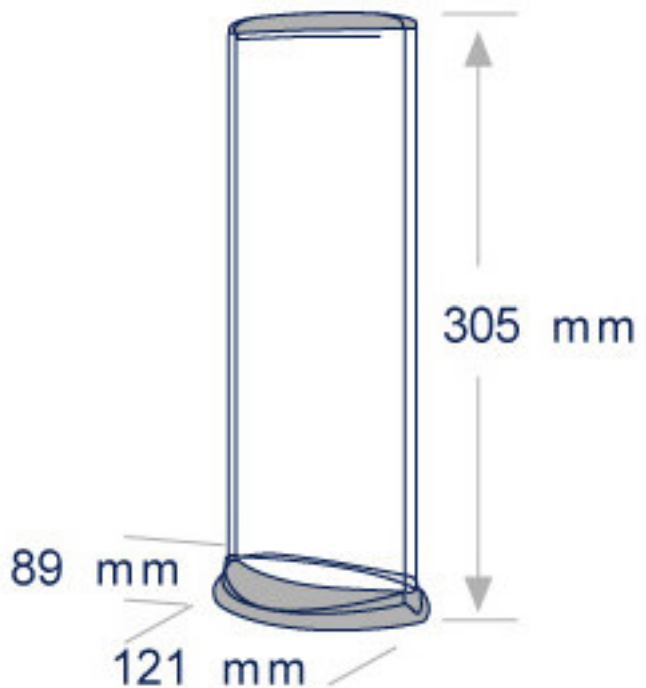




What Is PODIA™

PODIA™ is a two-sided display perfect for anyone who owns a printer. Each panel displays a 105 x 279 mm graphic (4.25" x 11"). Two vertical panels can be laid out on a standard A4 sheet (210 x 297 mm) or on a US letter size sheet (8.5" x 11"). Graphics can be generated so easily that **PODIA™** can be used very conveniently in all types of businesses and retail locations as well as homes.



The **PODIA™** unit consists of an arched, Lexan™ display case with styled base and cap.
Size: 305 mm tall (12") with an 89 mm x 121 mm elliptical base (3½" x 4¾").

The **PODIA™** Image capsule assembles in seconds with no tools.
It is ready to use in these **6 easy steps**.

1. Begin by removing the top of your **PODIA™** and removing the enclosed base.
2. Attach the base by pressing the capsule firmly in the base.
3. Print your graphics directly from your printer using any layout or word-processing software.
4. Simply fold print lengthwise in half and trim 18 mm from either end of an A4 sheet
5. Insert printout in capsule.
6. Then replace the top.

Your **PODIA™** is now ready to promote your goods and services in style.

